



AYAA TECHNOLOGY CO.,LTD

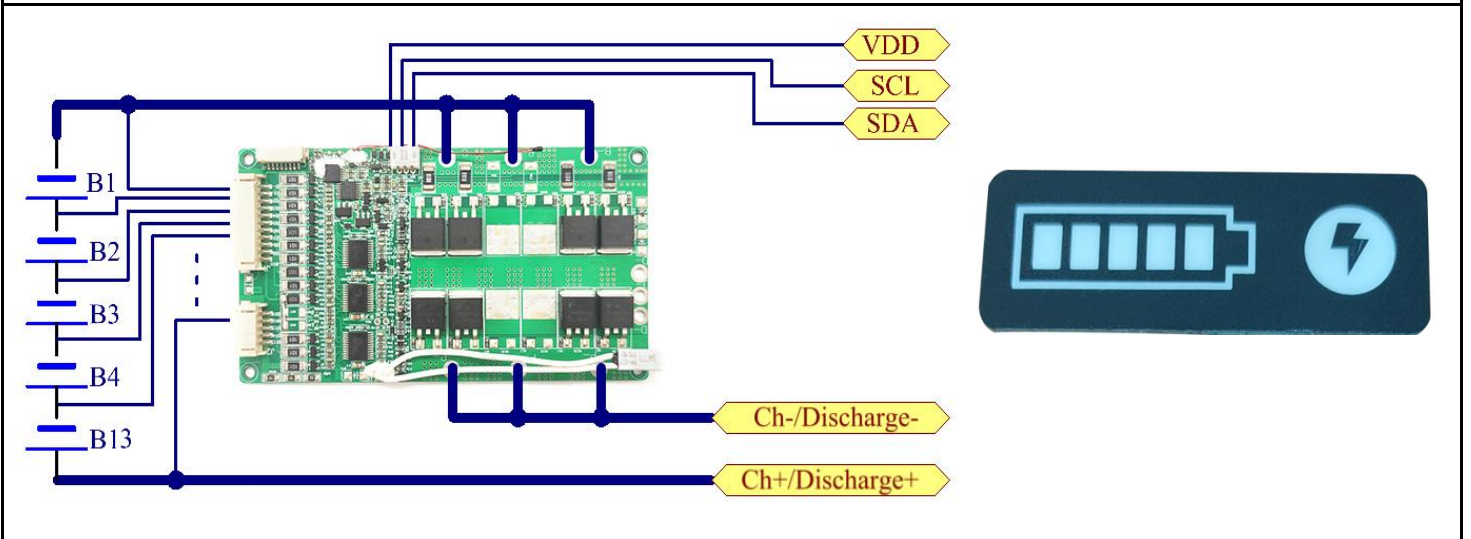
PCM Specifications

Model: PCM-L16S30-A44V1 (LI-13S20A) R5432V505BD+BQ34Z100

Test item (Test at normal temperature 25±2°C)		Criterion
Communication Interface		I2C
Voltage	Charging voltage	DC: 54.6V CC/CV (4.2v/Cell) 13S
Capacity	Designing battery capacity (PCM)	/mAh
	Max capacity (Battery pack)	8700mAh
	Min capacity (Battery pack)	800mAh
	External capacity Indication	FPC fuel gauge
Supply Current	Normal operating mode current: Fuel gauge in NORMAL mode. ILOAD > Sleep Current	≤ 160uA
	Low-power operating mode current: Fuel gauge in SLEEP mode. ILOAD < Sleep Current	≤ 80 uA
	Low-power operating mode current: Fuel gauge in FULLSLEEP mode. ILOAD < Sleep Current	≤ 25uA
	Hibernate operating mode current: Fuel gauge in HIBERNATE mode. ILOAD < Hibernate Current	16 uA
	Maximal continuous charging current	20A
	Maximal continuous discharging current	20A
	Balance current for single cell	42±10mA
Over-charge Protection (single cell)	Balance voltage for single cell	4.2V±0.05V
	Over charge detection voltage	4.25±0.05V
	Over charge detection delay time	0.5S—2S
	Over charge release voltage	4.15±0.1V
Over discharge protection (single cell)	Over discharge detection voltage	2.5±0.05V
	Over discharge detection delay time	10—200mS
	Over discharge release voltage	3.0±0.1V
Over current protection	Over current detection voltage	0.15v±0.025V
Current protection (Battery pack)	ChargeOver current detection current	/
	Detection delay time	/
	Discharge Over current detection current	40±10A
	Detection delay time	5ms—20ms
	Release condition	Cut load,Auto Recovery
Short protection	Detection condition	Exterior short circuit
	Detection delay time	200-600us
	Release condition	Cut load
Resistance	Main loop electrify resistance	≤ 50mΩ
Temperature	discharge temperature protection	65°C
	Operating Temperature Range	-20~+85°C
	Storage Temperature Range	-40~+125°C

SIZE: L120 *W65 *T8 mm

NTC: 10K NTC Temperature switch: 65 °C (the batteries temperature) Weak current switch: / Activation Method: /



Prepared: Cassie 2021-7-23

Checked:

Approved:

Form number: AY-ENBG-007A0