



AYAA TECHNOLOGY CO.,LTD
PCM Specifications

Model: PCM-LB2S15A-AY329 (LI-2S15A)

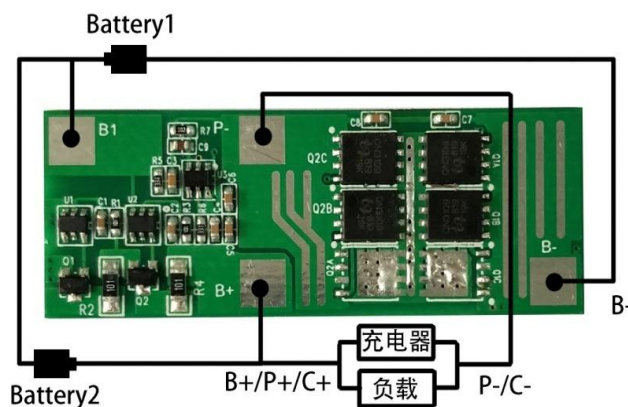
Ver: A

Test item (Test at normal temperature 25±2℃)		Criterion
Voltage	Charging voltage	DC: 8.4V CC/CV (4.2V/Cell) 2s
Supply Current	Normal operating mode current: Fuel gauge in NORMAL mode. ILOAD > Sleep Current	≤30uA
	Maximal continuous charging current	15A
	Maximal continuous discharging current	15A
	Balance current for single cell	42±10mA
Over-charge Protection (single cell)	Balance voltage for single cell	4.20±0.05V
	Over charge detection voltage	4.25±0.05V
	Over charge detection delay time	0.5S—2S
	Over charge release voltage	4.05±0.1V
Over discharge protection (single cell)	Over discharge detection voltage	2.8±0.05V
	Over discharge detection delay time	10—200mS
	Over discharge release voltage	3.0±0.1V
Current protection (Battery pack)	Discharge Over current detection current	40±10A
	Detection delay time	5ms—20ms
	Release condition	Cut load, Auto Recovery
Short protection	Detection condition	Exterior short circuit
	Detection delay time	200-600us
	Release condition	Cut load
Resistance	Main loop electrify resistance	≤60mΩ
Temperature	Operating Temperature Range	-40~+85℃
	Storage Temperature Range	-40~+125℃

SIZE: L55*W20*T2.8 mm

NTC: / Temperature switch: / Weak current switch: / special requirement: /

Size:L55*W20*T2.8



Prepared: Emily 2021-4-15

Checked:

Approved: