



# AYAA TECHNOLOGY CO.,LTD

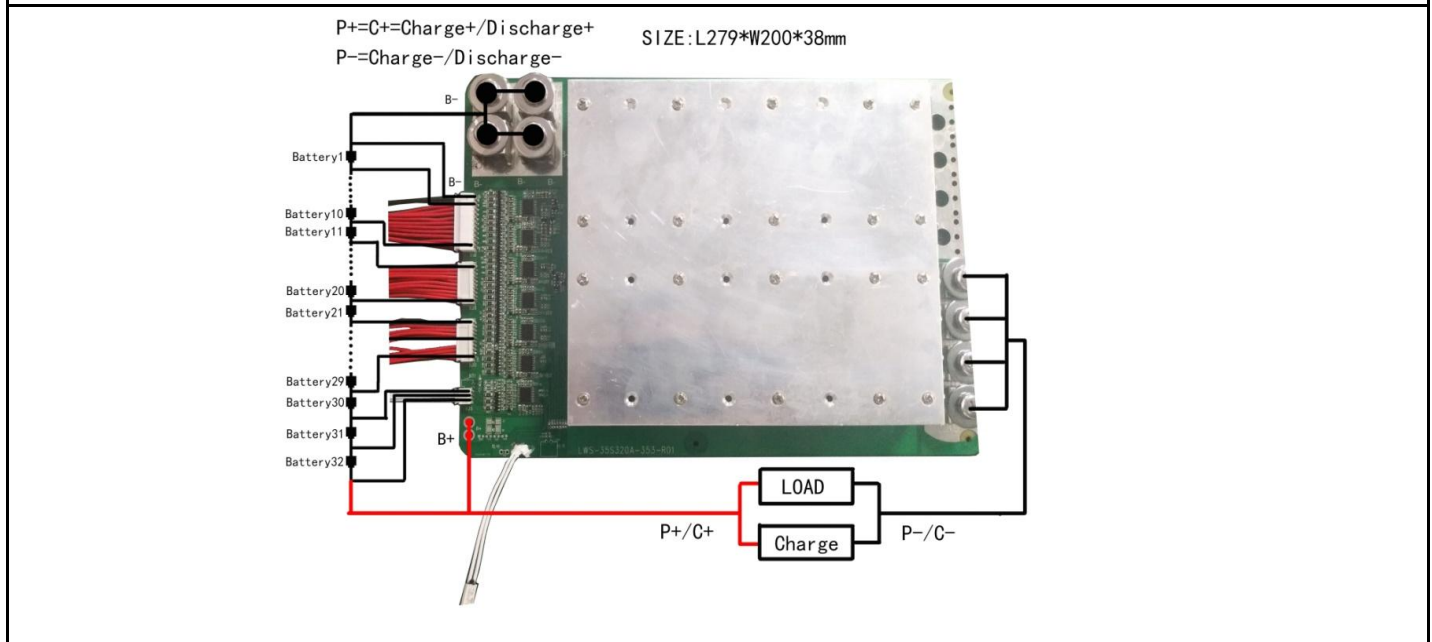
## PCM Specifications

Model: PCM-LB35S320A-AY353 (LI-35S350A) ver: A

Test item (Test at normal temperature 25±2°C)		Criterion
Voltage	Charging voltage	DC: 147V CC/CV (4.2v/Cell) 35S
Supply Current	Normal operating mode current: Fuel gauge in NORMAL mode. ILOAD > Sleep Current	≤ 50uA
	Maximal continuous charging current	350A
	Maximal continuous discharging current	350A
	Balance current for single cell	42±10mA
Over-charge Protection (single cell)	Balance voltage for single cell	4.2V±0.05V
	Over charge detection voltage	4.25±0.05V
	Over charge detection delay time	0.5S—2S
	Over charge release voltage	4.10±0.1V
Over discharge protection (single cell)	Over discharge detection voltage	2.50±0.08V
	Over discharge detection delay time	10—200mS
	Over discharge release voltage	3.0±0.1V
Current protection (Battery pack)	ChargeOver current detection current	/
	Detection delay time	/
	Discharge Over current detection current	1500±500A
	Detection delay time	1000mS-2000mS
	Release condition	Cut load, Auto Recovery
Short protection	Detection condition	Exterior short circuit
	Detection delay time	200-600us
	Release condition	Cut load
Resistance	Main loop electrify resistance	≤ 60mΩ
Temperature	Operating Temperature Range	-40~+60°C
	Storage Temperature Range	-40~+85°C

SIZE: L279\*W200\*T38 mm

NTC: /    Temperature switch: /    Weak current switch: /    Activation Method: /



Prepared: Emily 2020-11-30

Checked:

Approved: